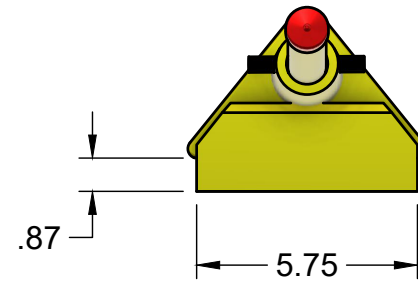
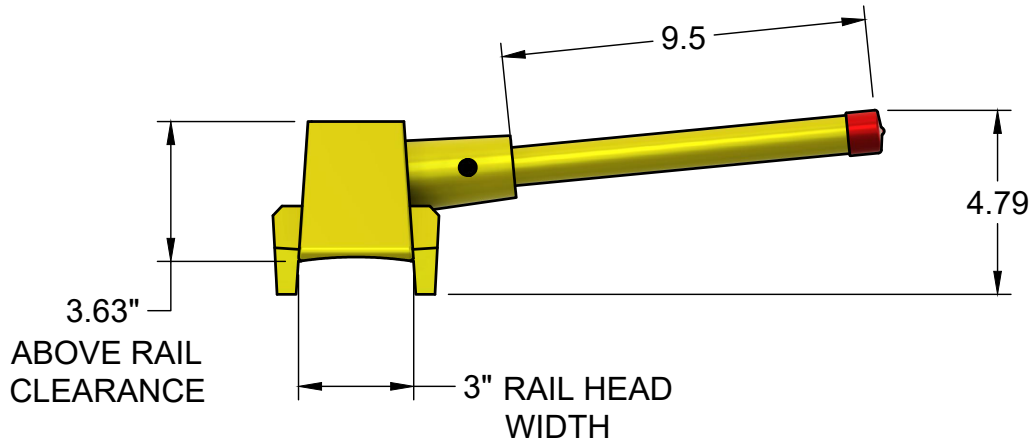


1" DIAMETER  
FIBERGLASS HANDLE



FRAC. (XX/XX):	1PL (X.X):	<a href="http://www.safetrack.se">www.safetrack.se</a>
ANG. (X°):	2PL (X.XX):	
ANG. (X.X°):	3PL (X.XXX):	

PRODUCT WEIGHT: 2.6 LBS

MATERIAL: SEE INDIVIDUAL COMPONENTS		DRAWING TITLE: <b>HEAVY DUTY CHOCK EXPOSED</b>		
TREATMENT:	DATE:	DRAWN BY:	PAGE:	DRAWING NUMBER:
FINISH:	2/14/24		1 OF 1	4011-42
SCALE: 1:5.000				REV: